

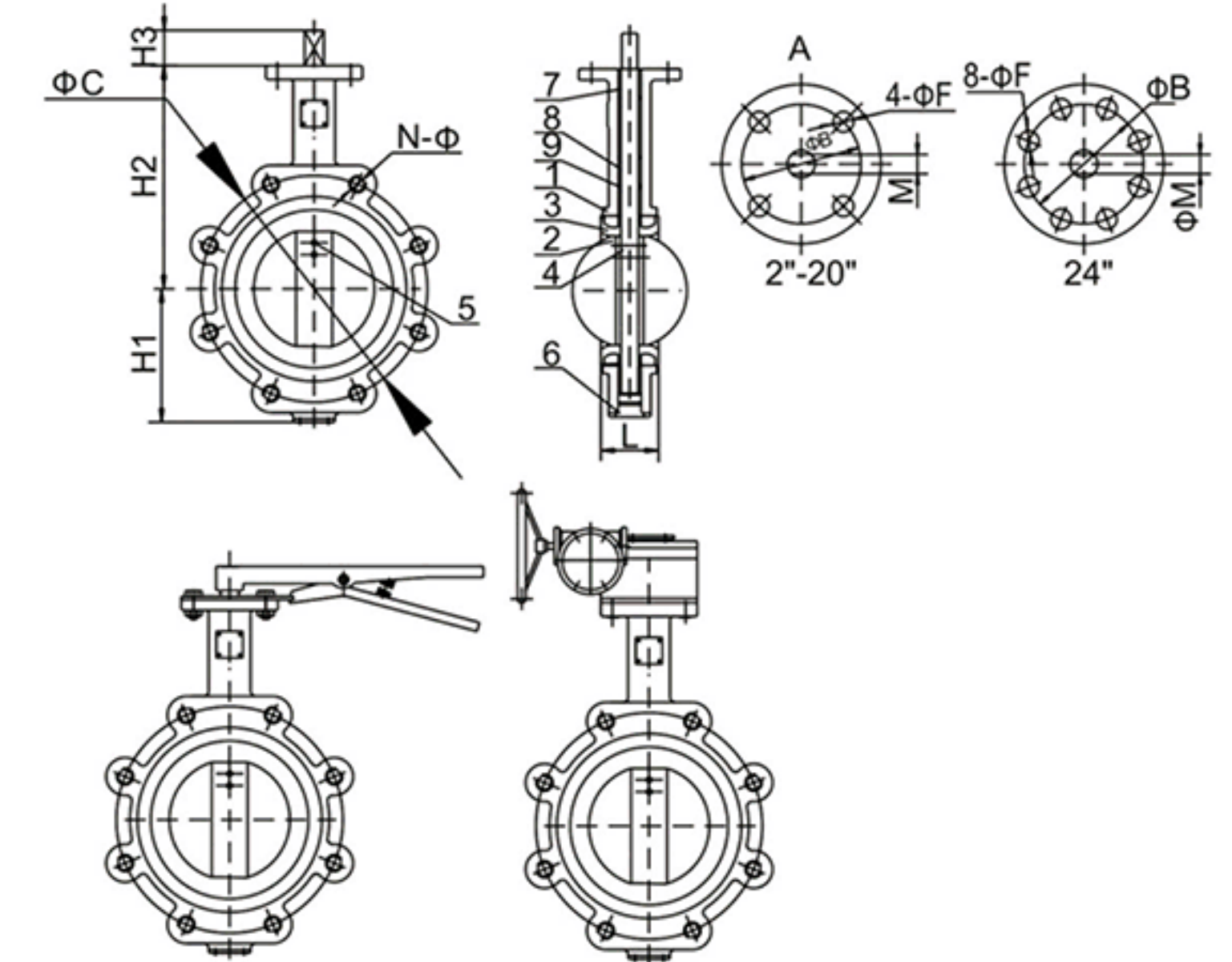
**Note:**

- 1.Design and manufacture: EN 593/BS 5155/MSS SP-67.
- 2.Flange dimensions: EN 1092-2/BS 4504/ASME B16.1.
- 3.Top flange dimensions: ISO 5211.
- 4.Face to face dimensions: EN 558/ISO 5752/DIN 3202.
- 5.Test and inspection: API 598.
- 6.Size up to 48".

**Materials list:**

1	Body	Cast iron/Ductile iron
2	Disc	Ductile iron/Al Bronze/S.S.
3	Seat	NBR/EPDM/PTFE
4	Stem	Stainless steel
5	Pin	Stainless steel
6	End cover	Cast iron/Ductile iron
7,8	Bushing	PTFE/Al Bronze
9	"O" ring	NBR/EPDM

DN	H1	H2	H3	L	φB	φC	φF	φM	N-M
40	61	134	32	33	50	110	9	10	4-16
50	76	162	32	43	70	125	9	10	4-16
65	80	175	32	46	70	145	9	10	4-16
80	95	181	32	46	70	160	9	10	8-16
100	114	200	32	52	70	180	9	12	8-16
125	127	213	32	56	70	210	9	14	8-16
150	140	225	32	56	70	240	9	14	8-20
200	173	260	36	60	102	295	11	17	12-20
250	203	292	36	68	102	355	11	22	12-24
300	237	337	36	78	125	410	13	24	12-24



**Note:**

- 1.Design and manufacture: EN 593/BS 5155/MSS SP-67.
- 2.Flange dimensions: EN 1092-2/BS 4504/ASME B16.1.
- 3.Top flange dimensions: ISO 5211.
- 4.Face to face dimensions: EN 558/ISO 5752/DIN 3202.
- 5.Test and inspection: API 598.
- 6.Size up to 48".

**Materials list:**

1	Body	Cast iron/Ductile iron
2	Disc	Ductile iron/Al Bronze/S.S.
3	Seat	NBR/EPDM/PTFE
4	Stem	Stainless steel
5	Pin	Stainless steel
6	End cover	Cast iron/Ductile iron
7,8	Bushing	PTFE/Al Bronze
9	"O" ring	NBR/EPDM

DN	H1	H2	H3	L	φB	φC	φF	φM	N-M
350	267	368	40	79	125	470	13	24	16-24
400	309	400	55	90	140	525	18	27	16-27
450	328	422	60	109	140	585	18	27	20-27
500	361	480	65	132	140	650	18	32	20-30
600	459	562	70	156	165	770	22	36	20-33
700	594	527	75	169	254	840	18	-	24-33
800	629	666	75	195	254	950	18	-	24-36
900	656	720	110	211	254	1050	18	-	28-36
1000	718	800	140	224	254	1170	18	-	28-39
1200	864	960	150	286	298	1390	22	-	32-45